

HM-TB3317-3/M1-Mini Smartphone Module



The smartphone module helps you to inspect electrical equipment, troubleshooting HVAC problems, look for subjects in darkness. Within 5°C to 100°C temperature measurement range, it covers most natural scenarios. Equipped with functional thermal App for smartphone, the Smartphone Module enables you to see a different world just by one plug.

▪ Key Feature

- Thermal resolution: 160 × 120 (19,200 pixels)
- NETD: < 40 mK (@25°C, F# = 1.0)
- Accuracy: ± 0.5°C (0.9°F), for object temperature 30°C to 45°C (86°F to 113°F); ±2°C (3.6°F), for object temperature 5°C to 30°C (41°F to 86°F) and 45°C to 100°C (113°F to 212°F). Applicable 60 sec after start-up when the ambient temperature 15°C to 35°C (59°F to 95°F)
- USB Type-C Interface (Android)
- 26 g Weight

Specification

| Thermal Module | |
|---------------------------|---|
| Image Sensor | Vanadium Oxide Uncooled Focal Plane Arrays |
| IR Resolution | 160 × 120 (19,200 pixels) |
| Pixel Pitch | 17 μm |
| Spectrum Range | 8 to 14 μm |
| NETD | < 40 mK (@25°C, F# = 1.0) |
| Focal Length | 3.2 mm |
| FOV (Field of View) | 50° × 38° (H × V) |
| Minimum Focus Distance | 20 cm |
| Focus | Fixed |
| Image Frequency | 25 Hz |
| Aperture | F1.1 |
| Thermography Function | |
| Accuracy | ± 0.5°C (0.9°F), for object temperature 30°C to 45°C (86°F to 113°F); ± 2°C (3.6°F), for object temperature 5°C to 30°C (41°F to 86°F) and 45°C to 100°C (113°F to 212°F). Applicable 60 sec after start-up when the ambient temperature 15°C to 35°C (59°F to 95°F) |
| Object Temperature Range | 5°C to 100°C (41°F to 212°F) |
| Shutter | Automatic/Manual |
| General | |
| Power | Powered by Smartphone |
| Phone | Android (USB Type-C Interface) |
| Working Temperature Range | 15°C to 35°C (59°F to 95°F) |
| Storage Temperature Range | -20°C to 60°C (-4°F to 140°F) |
| Protection Level | IP40 |
| Mechanical Shock | Drop from 1 m (3.28 ft) |
| Weight | 26 g (0.057 lb) |
| Dimension | 54.1 mm × 15 mm × 27.5 mm (2.13" × 0.59" × 1.08") |
| Power Consumption | 300mW |
| APP | |
| Measurement Presets | Hot Spot, Cold Spot, Center Spot, 1 Point Preset, 1 Area Preset, Off |
| Color Palettes | Black Hot, White Hot, Red Hot, Rainbow, Ironbow, Fusion, Rain |
| Video Format | MP4 |
| Image Format | JPEG |

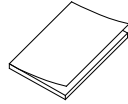
▪ Available Model

HM-TB3317-3/M1-Mini

Packing List

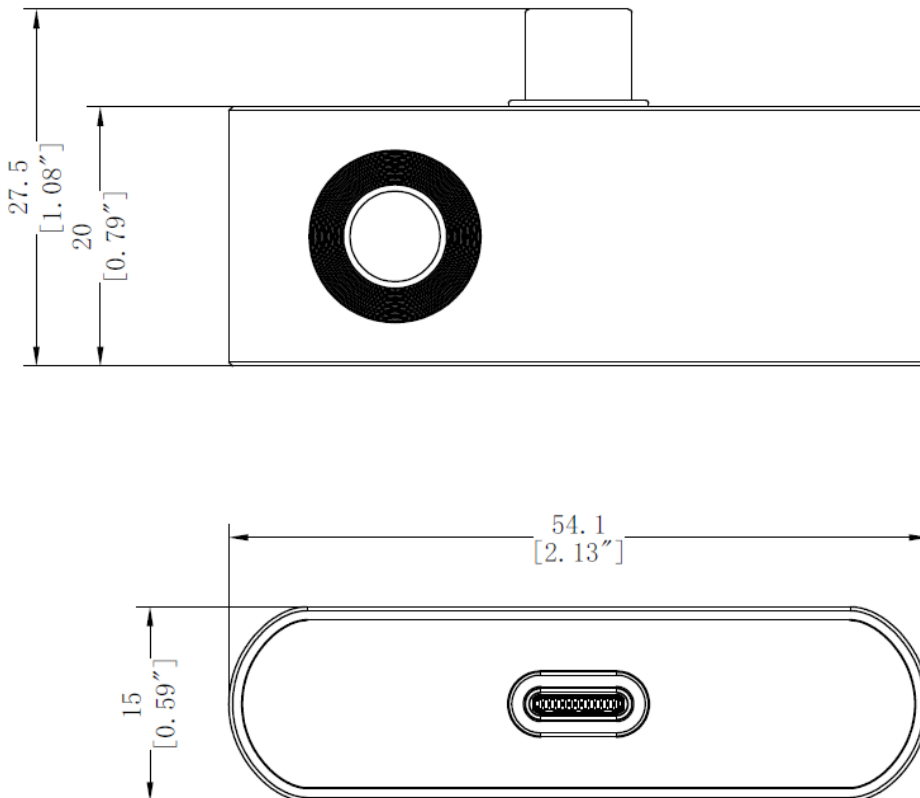


Storage Bag (× 1)



Quick Start Guide (× 1)

▪ Dimension



Unit:mm[Inch]

COMPLIANCE NOTICE: The thermal series products might be subject to export controls in various countries or regions, including without limitation, the United States, European Union, United Kingdom and/or other member countries of the Wassenaar Arrangement. Please consult your professional legal or compliance expert or local government authorities for any necessary export license requirements if you intend to transfer, export, re-export the thermal series products between different countries.

